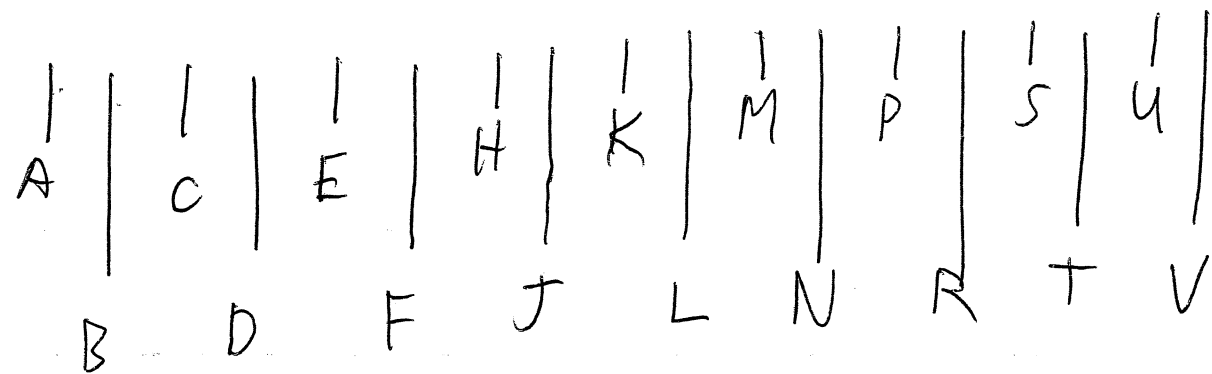


Edge connectors:

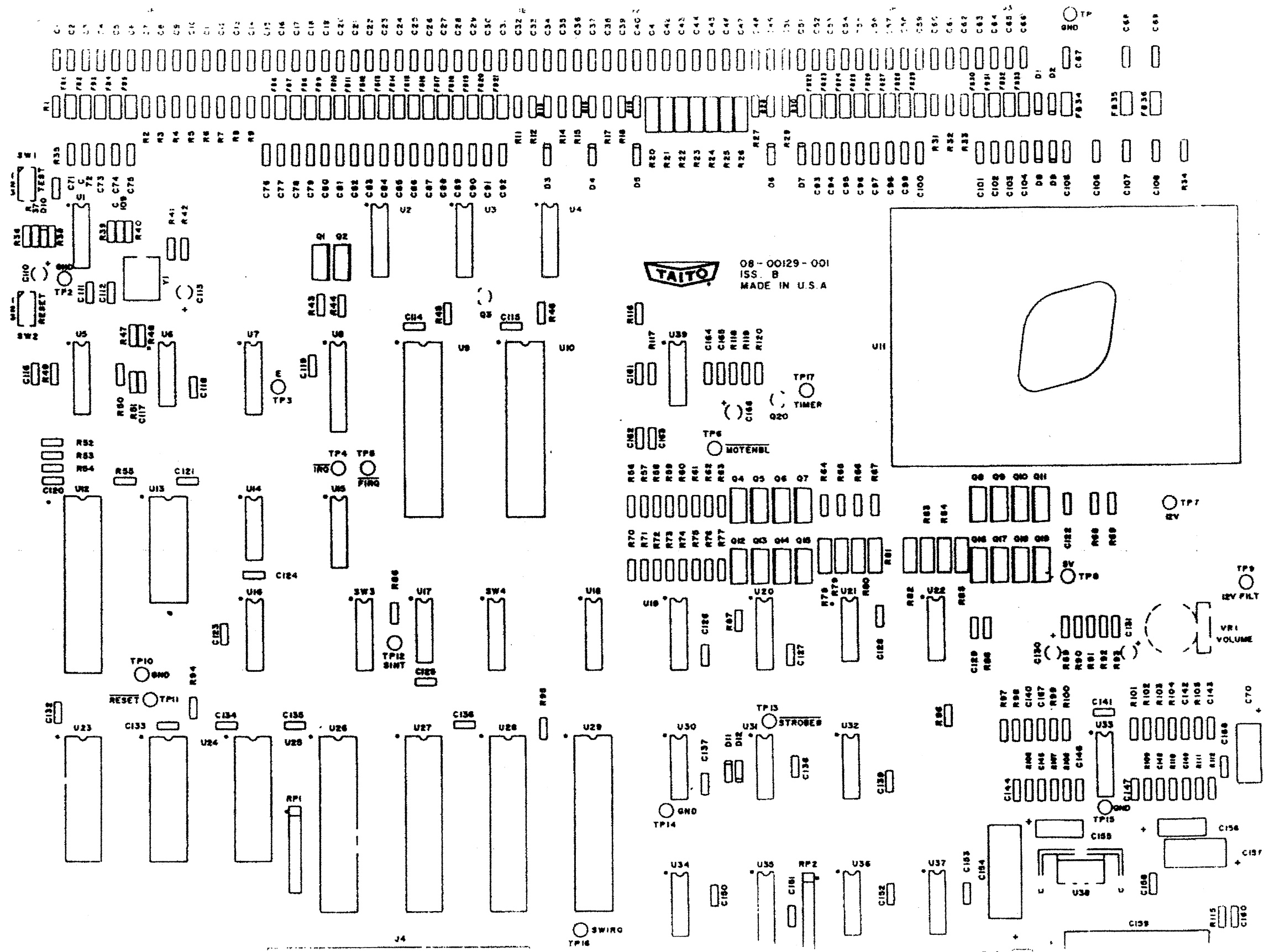
front is numbered,  
as marked on board.

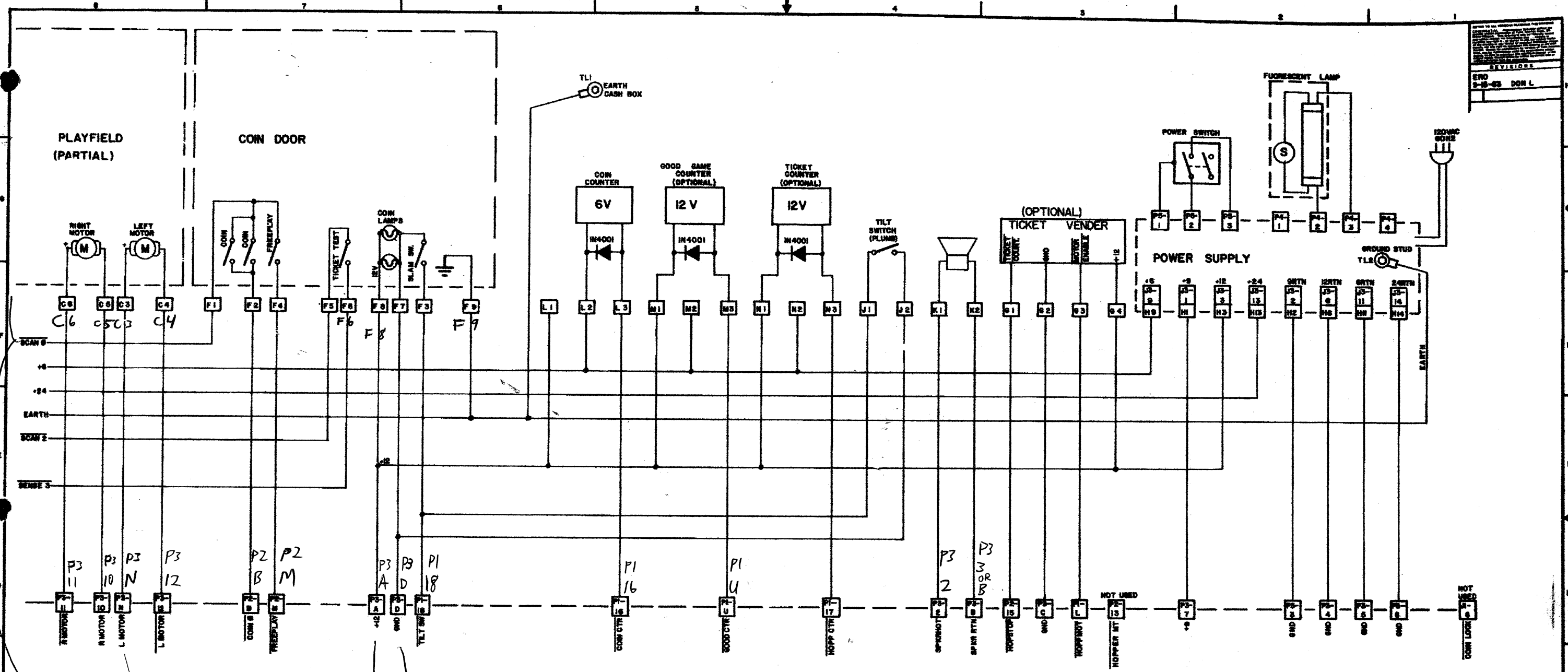
rear is letters, as viewed:



Keys count!

**FIGURE 25**  
**LOGIC & REGULATOR BOARD**  
**COMPONENT LAYOUT**





REVISIONS	
END	9-18-65 DON L

Traces to M (N is N/C)

Grey  
double yellow

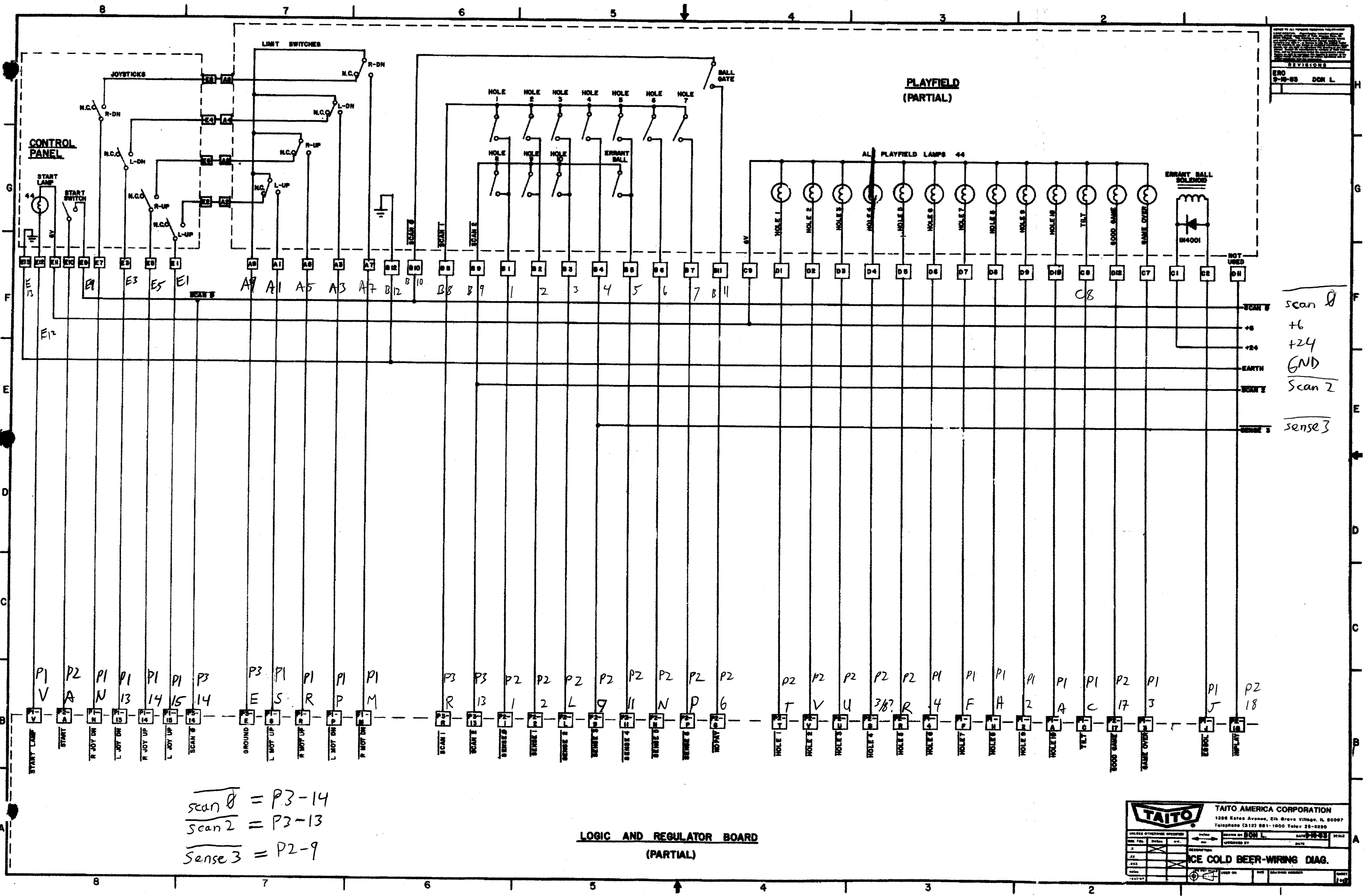
purple  
White

Scan 1 = P3-14  
Scan 2 = P3-13  
sense 3 = P2-9

**TAITO** TAITO AMERICA CORPORATION  
1256 Estes Avenue, Elk Grove Village, IL 60007  
Telephone 531-25 881-1000 Telex 25-3280

DESIGNED BY	DATE	SCALE
APPROVED BY	DATE	
ICE COLD BEER-WIRING DIAG.		

FIGURE 28



scan 0 = P3-14  
scan 2 = P3-13  
sense 3 = P2-9

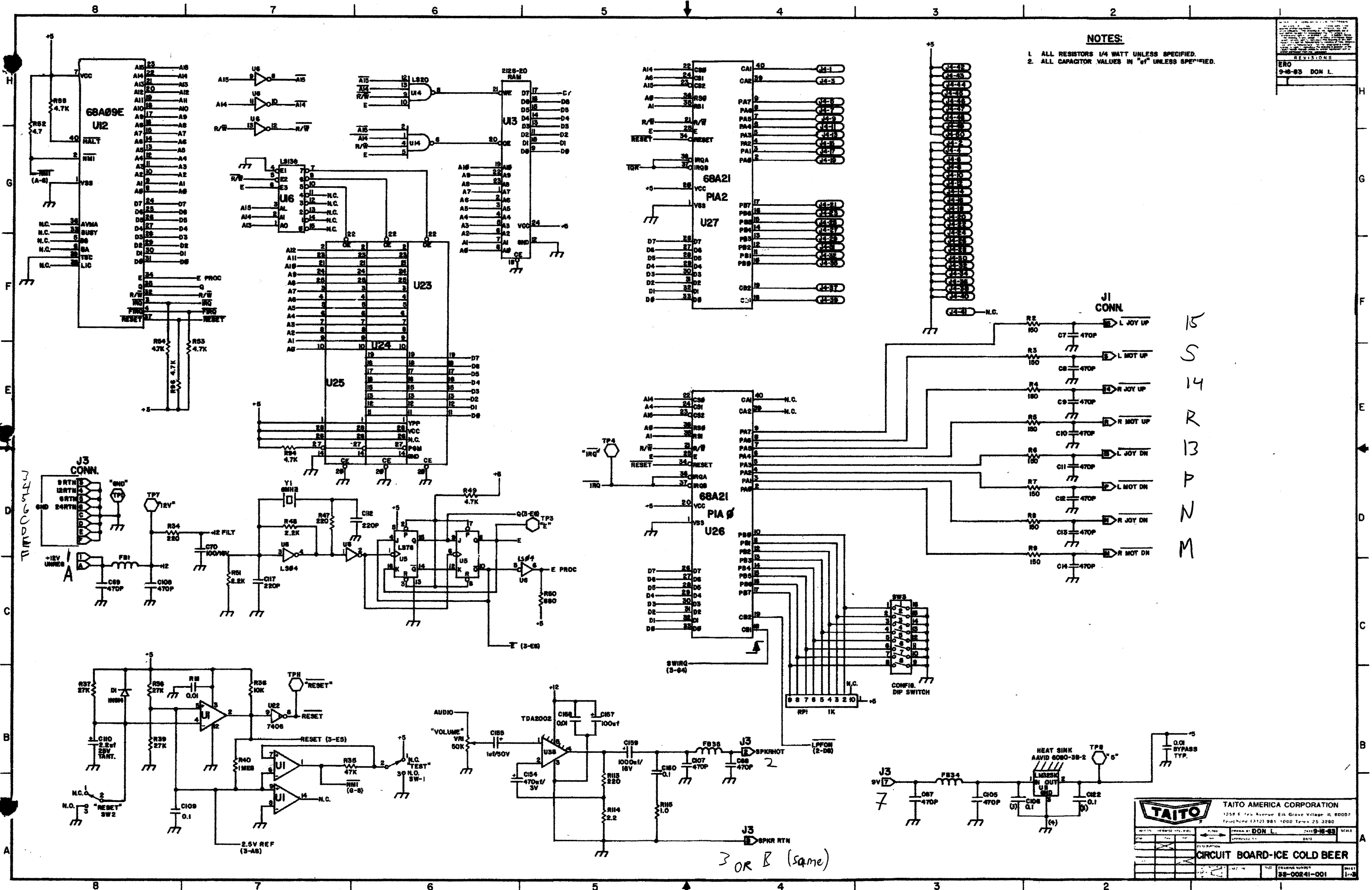
**LOGIC AND REGULATOR BOARD**  
 (PARTIAL)

**TAITO** TAITO AMERICA CORPORATION  
 1266 Estes Avenue, Elk Grove Village, IL 60007  
 Telephone (312) 881-1000 Telex 28-3280

UNLESS OTHERWISE SPECIFIED	DATE	BY	CHKD
REV. NO.	DATE	BY	DATE
1			
2			
3			
4			
5			
6			
7			
8			
9			
10			
11			
12			
13			
14			
15			
16			
17			
18			
19			
20			
21			
22			
23			
24			

ICE COLD BEER-WIRING DIAG.

FIGURE 31



**NOTES:**  
 1. ALL RESISTORS 1/4 WATT UNLESS SPECIFIED.  
 2. ALL CAPACITOR VALUES IN "UF" UNLESS SPECIFIED.

REVISIONS	
ERO	9-18-83 DON L.

15  
S  
14  
R  
13  
P  
N  
M

TP3-50

3 OR B (same)

**TAITO** TAITO AMERICA CORPORATION  
 1256 E. 1st Avenue, Elk Grove Village, IL 60007  
 Telephone (815) 981-1000 Telex 25 3280

DESIGNED BY	APPROVED BY	DATE	SCALE

**CIRCUIT BOARD-ICE COLD BEER**

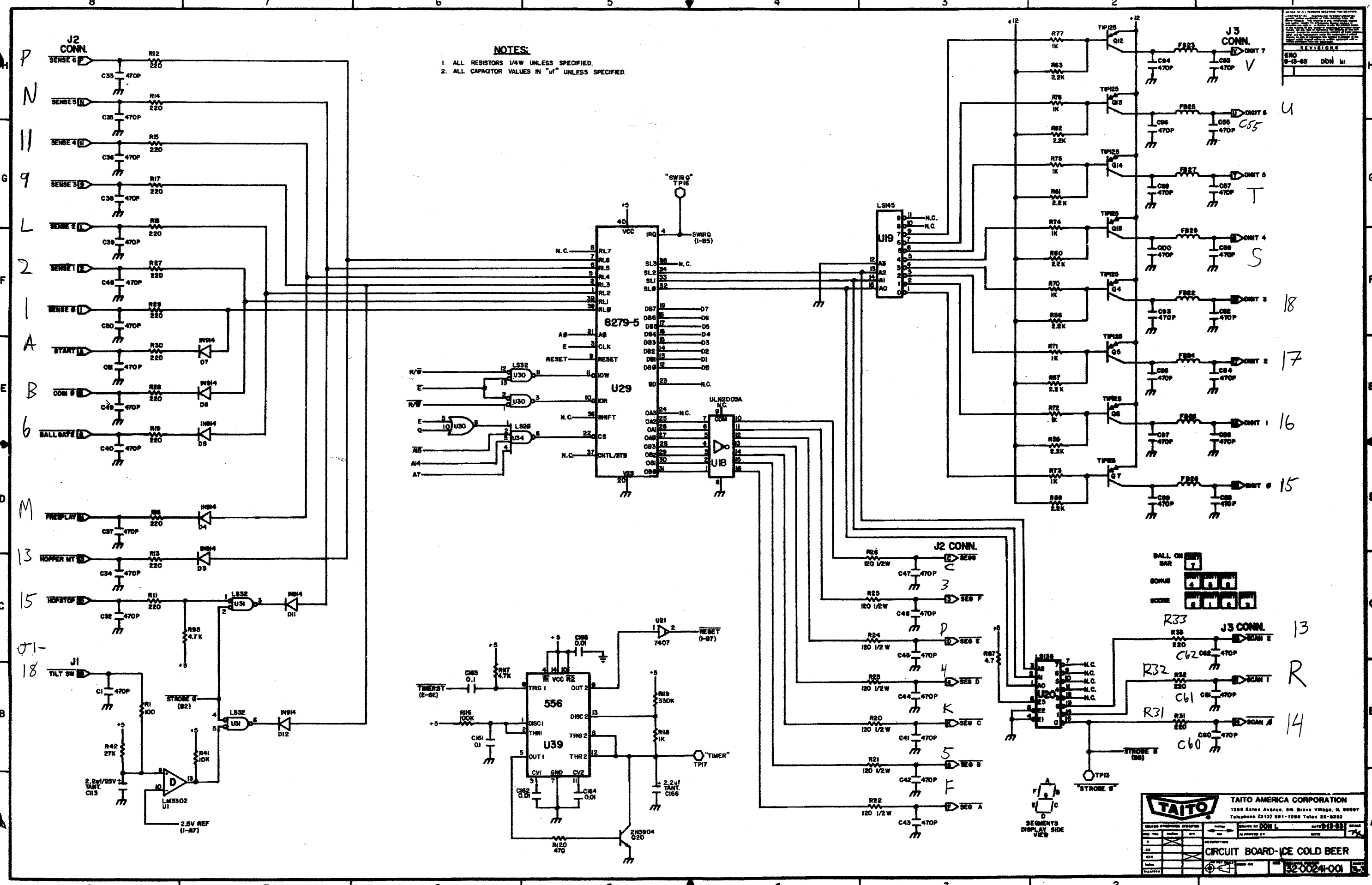
REV.	DATE	DESCRIPTION

DESIGN NUMBER: 28-00241-001



FIGURE 33

NOTES:  
1. ALL RESISTORS 1/4W UNLESS SPECIFIED.  
2. ALL CAPACITOR VALUES IN "u" UNLESS SPECIFIED.



REVISIONS

REV	DATE	BY	DESCRIPTION
001	8-15-83	DBL	1st

**TAITO** TAITO AMERICA CORPORATION  
1255 Estes Avenue, Elk Grove Village, IL 60007  
Telephone (312) 891-1000 Telex 26-0280

DATE: 8-15-83  
DESIGNED BY: DBL  
CHECKED BY: DBL  
CIRCUIT BOARD-ICE COLD BEER  
32-00241-001